



COMPRESSORS & PNEUMATICS

EQUIPMENT & MAINTENANCE

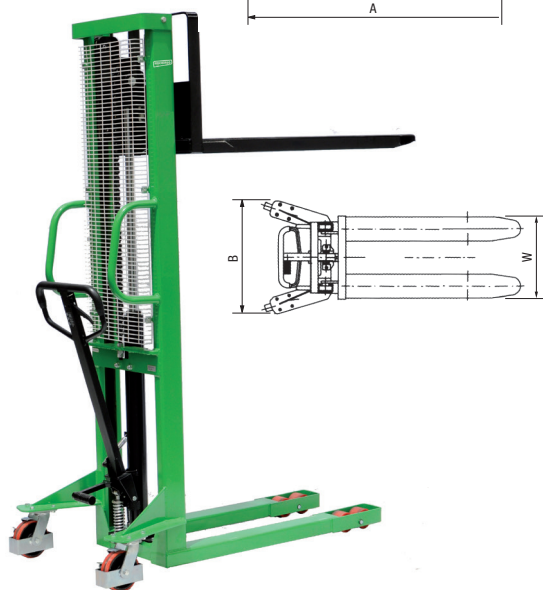
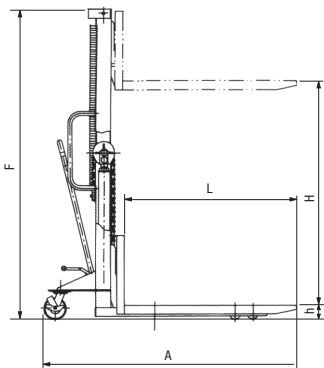
CUTTING TOOLS

DRILL BITS & ACCESSORIES FOR CONSTRUCTION

DIAMOND DISKS & DIAMOND CORE DRILLS

CONSTRUCTION MACHINERY & ACCESSORIES

OX55 MANUAL STACKER 1.000 Kg

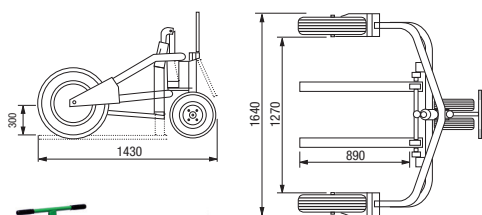


Code	Description	Maximum load Kg
OX55	MANUAL STACKER	1.000
Dimensions		OX55
Lifting height	H (mm)	1.600
Lowered fork height	h (mm)	90
Fork length	L (mm)	1.150
Fork width	W (mm)	550
Lifting speed	(mm/operation)	25
Lowering speed		Adjustable
Overall length	A(mm)	1.705
Overall width	B(mm)	755
Overall height	F(mm)	2.080
Weight	(Kg)	214



Auxiliary pedal
For lifting load in reduced spaces. Easy and simple to operate.

OX70 BUILDING HAND PALLET TRUCK 1.500 Kg



Code	Description	Maximum load Kg
OX70	BUILDING hand pallet truck	1.500
Dimensions		OX70
Lifting height	(mm)	200
Altura de palet máxima	(mm)	1.200
Fork width	(mm)	Adjustable
Overall length	(mm)	1.430
Overall width	(mm)	1.640
Overall height		800
Wheels		Pneumatic
Weight	(Kg)	170